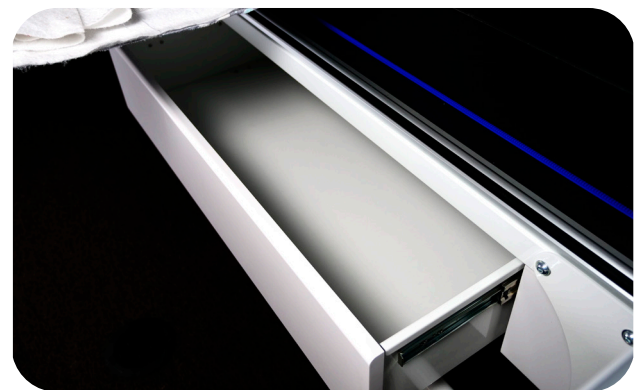


My Secret Drawer

Compatible with most HQ Studio[®], HQ Studio2[®], HQ Gallery[®], and HQ Gallery2[®] frames*

What will you keep in YOUR Secret Drawer?

Take advantage of that wasted space under your longarm frame by installing My Secret Drawer. Store up to 96 cones of thread or your entire ruler and template collection.



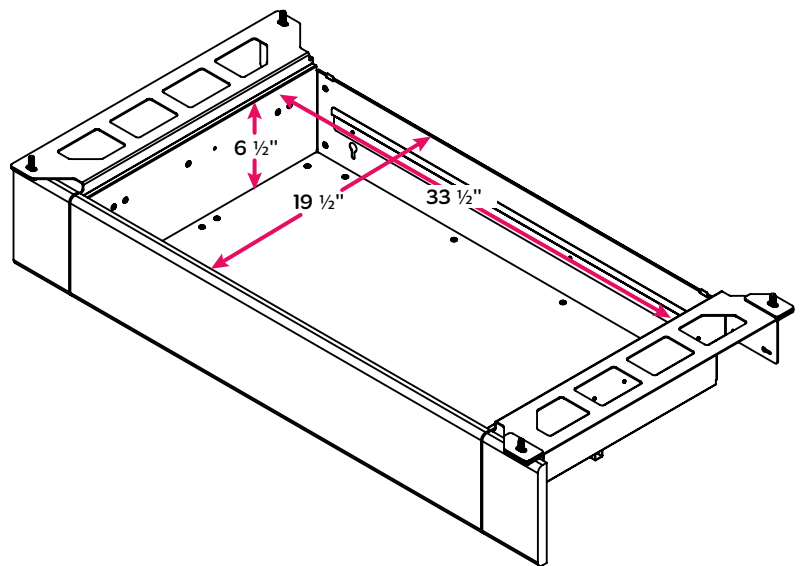
Features

- Beautifully designed to blend right in
- Easy-open design with smooth glides
- Choose front or back access installation
- Install up to 3 drawers per 12-foot frame

NOTE: Drawers clear the batting storage pole, but not the roll of batting. If you store batting on your frame, we recommend installing only one drawer.

- Rated at 100 lbs
- Zinc-plated hardware resists corrosion

*Not compatible with first generation slant-leg frames



 **Handi Quilter[®]**

Designed by a Quilter, for Quilters.[®]

www.HandiQuilter.com • 1-877-MY-QUILT (697-8458)

©2018 Handi Quilter, Inc. HQ Little Foot Frame[™], HQ Studio2 Frame[™], and HQ Gallery2 Frame[™] are trademarks or registered trademarks of Handi Quilter, Inc.

Part # QM99999_19 • 1018